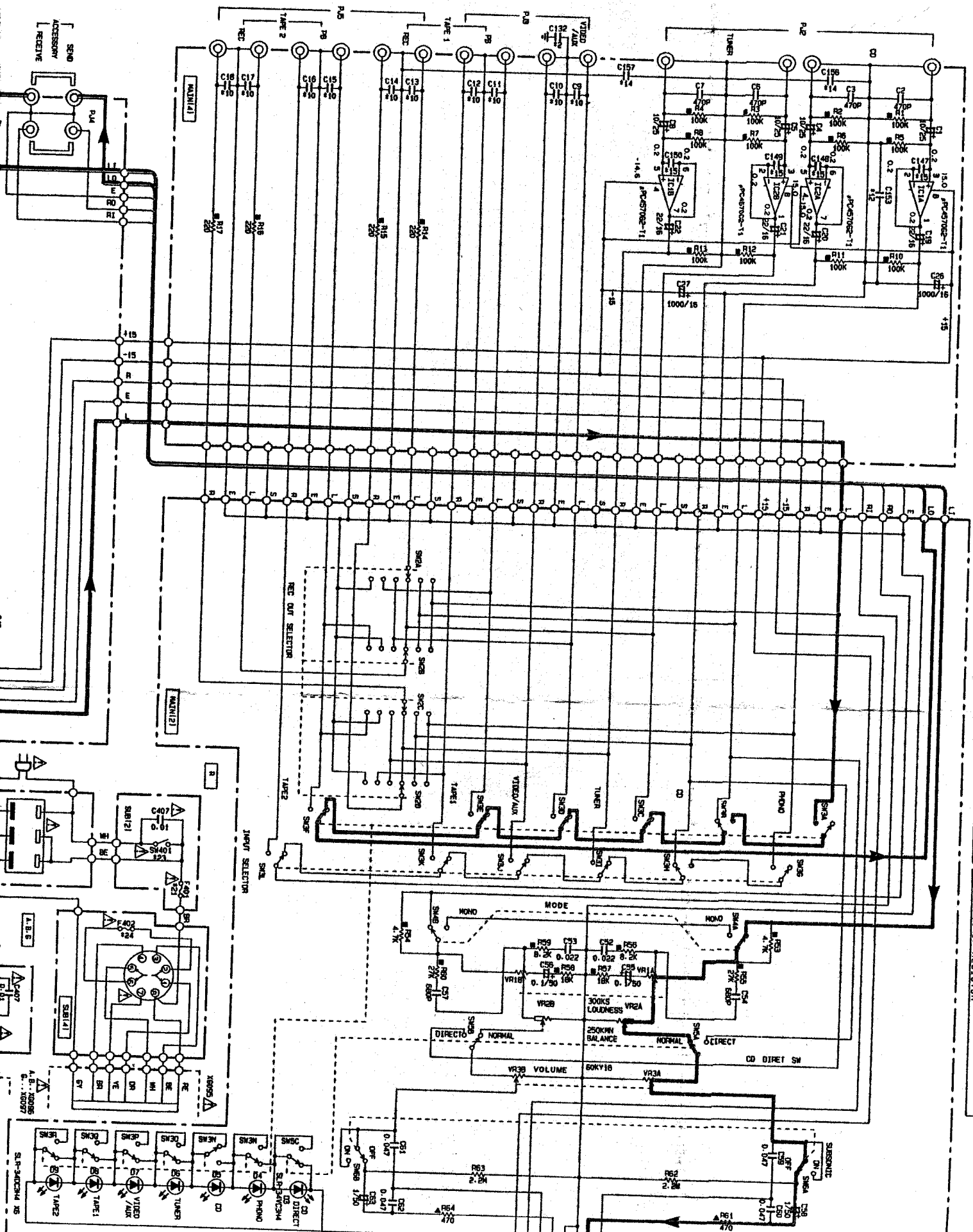


10	C3-18	OPEN	2.2K
11	C30	OPEN	470K
12	C151-153	OPEN	0.1
13	C36-38	1500P	2700P

121	7.0050V/12.5450V	OPEN	2.2
122	4405-405	OPEN	2.2
123	3.5450V	OPEN	2.2

11	IC 9	IC	9
12	IC 11	IC	11

13	10K	RESISTOR	10K
14	100K	RESISTOR	100K
15	1000K	RESISTOR	1000K
16	10000K	RESISTOR	10000K
17	100000K	RESISTOR	100000K
18	1000000K	RESISTOR	1000000K
19	10000000K	RESISTOR	10000000K
20	100000000K	RESISTOR	100000000K
21	1000000000K	RESISTOR	1000000000K
22	10000000000K	RESISTOR	10000000000K
23	100000000000K	RESISTOR	100000000000K
24	1000000000000K	RESISTOR	1000000000000K
25	10000000000000K	RESISTOR	10000000000000K
26	100000000000000K	RESISTOR	100000000000000K
27	1000000000000000K	RESISTOR	1000000000000000K
28	10000000000000000K	RESISTOR	10000000000000000K
29	100000000000000000K	RESISTOR	100000000000000000K
30	1000000000000000000K	RESISTOR	1000000000000000000K

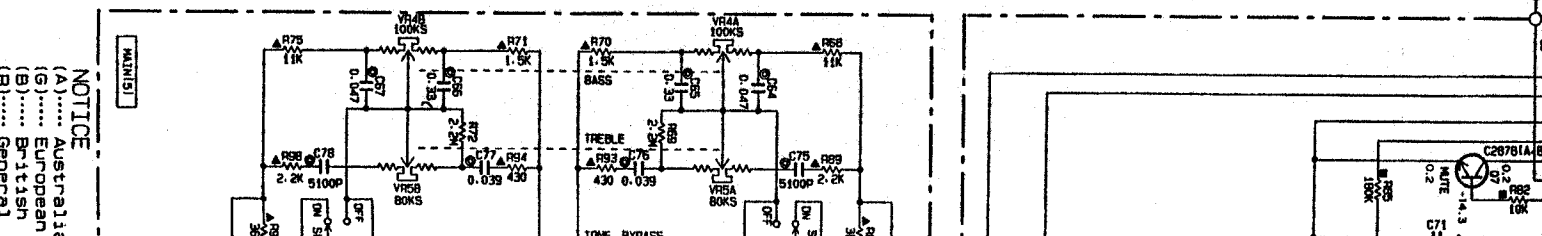
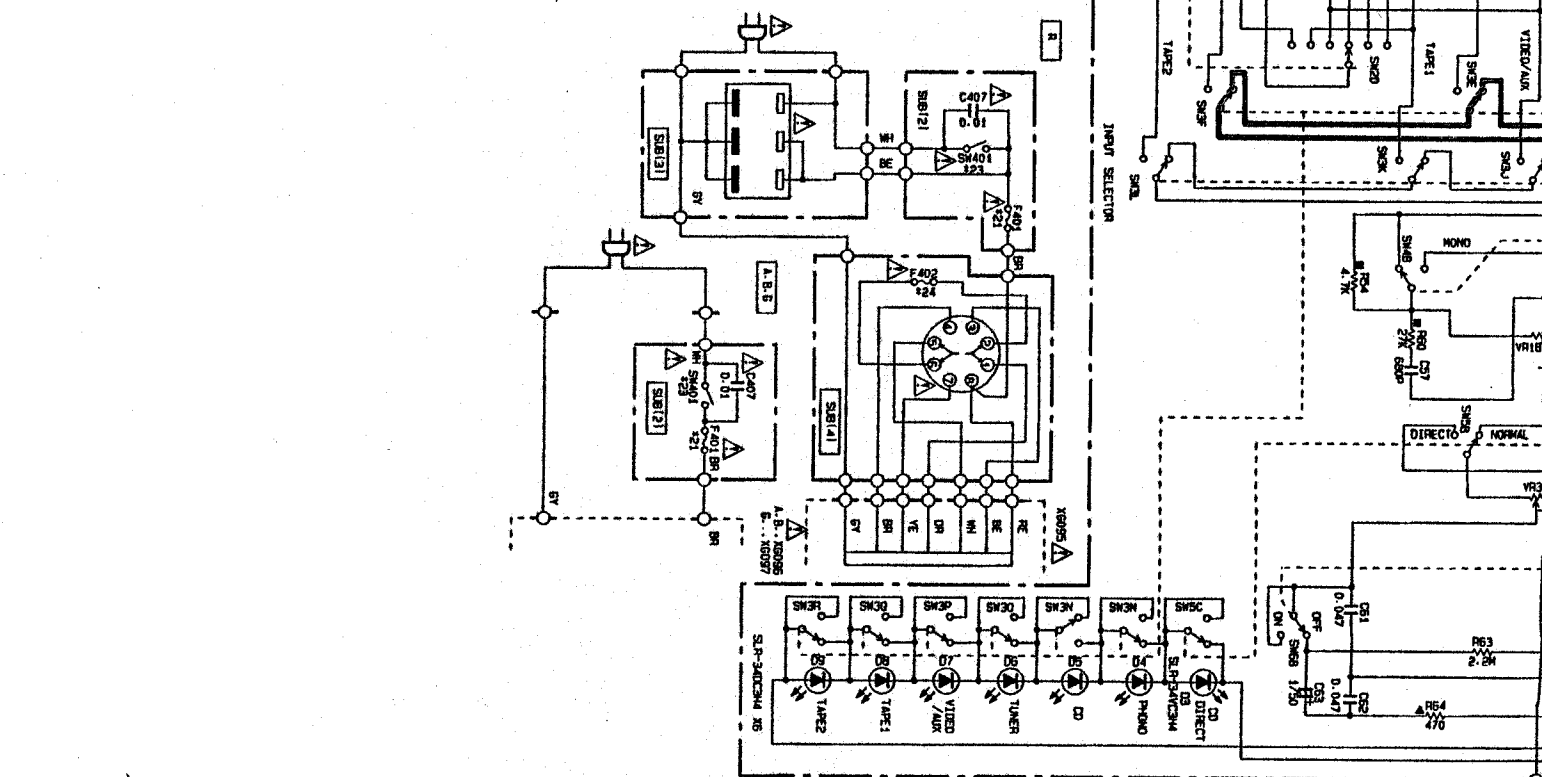
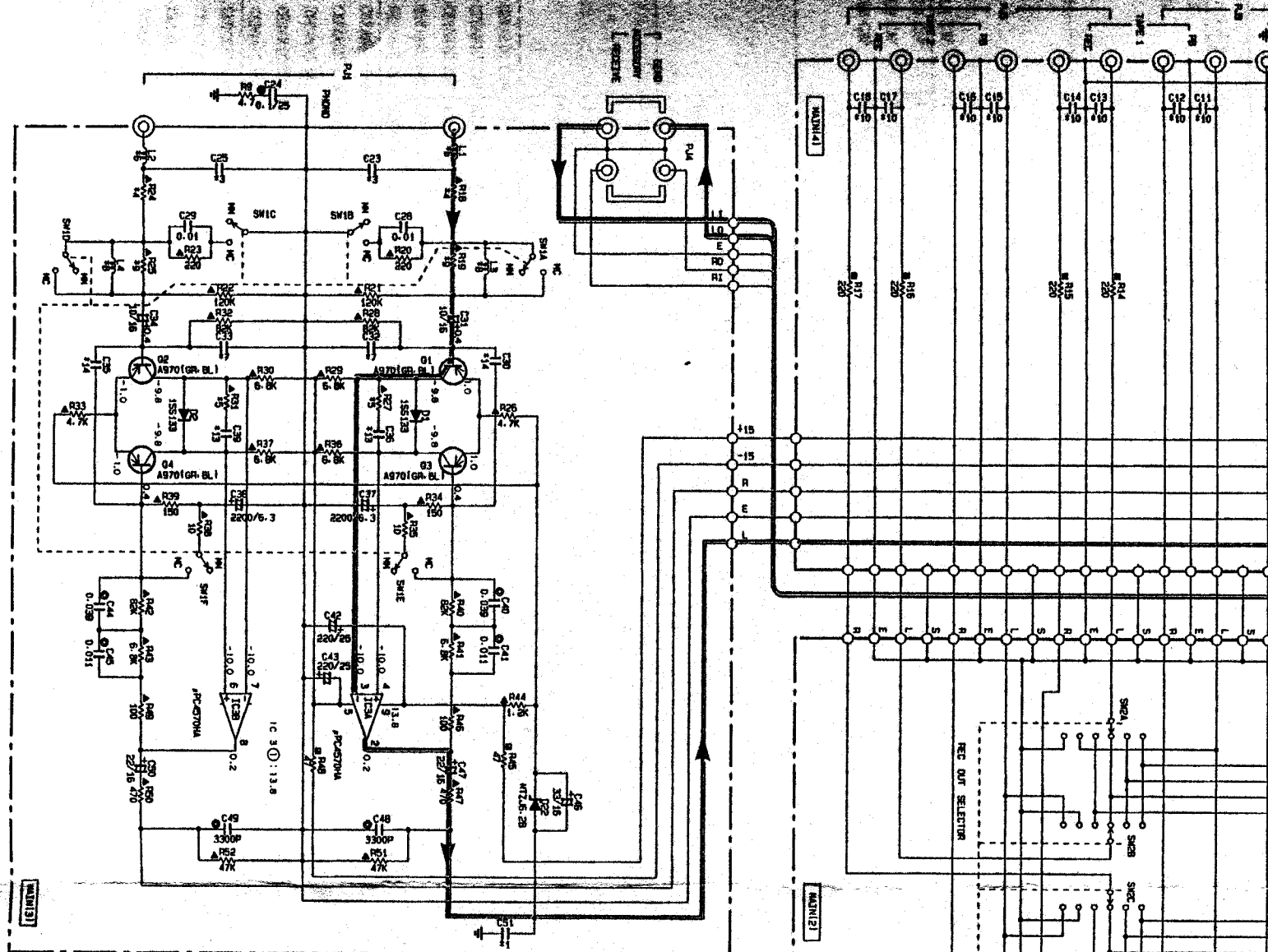


5

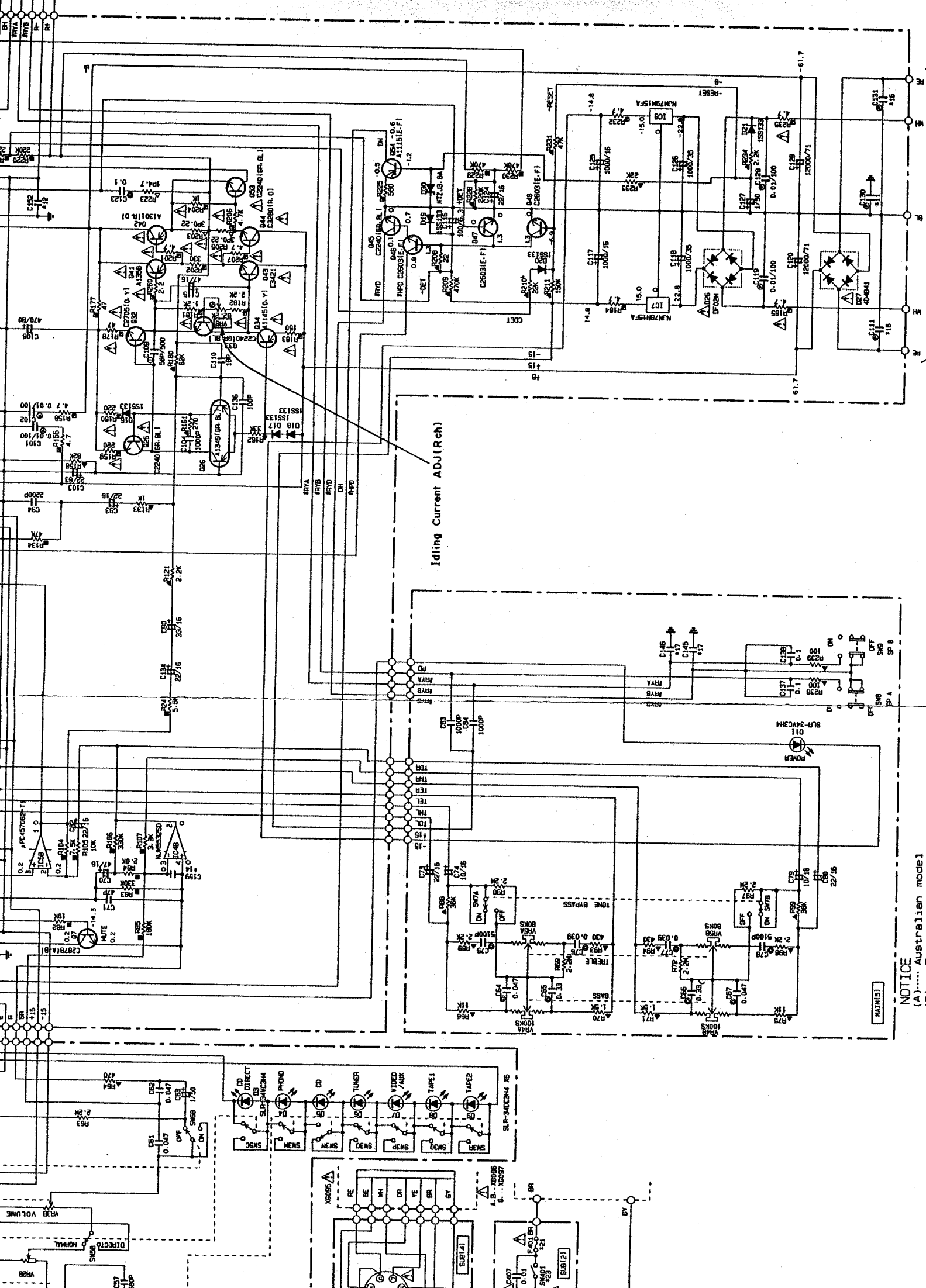
4

3

2

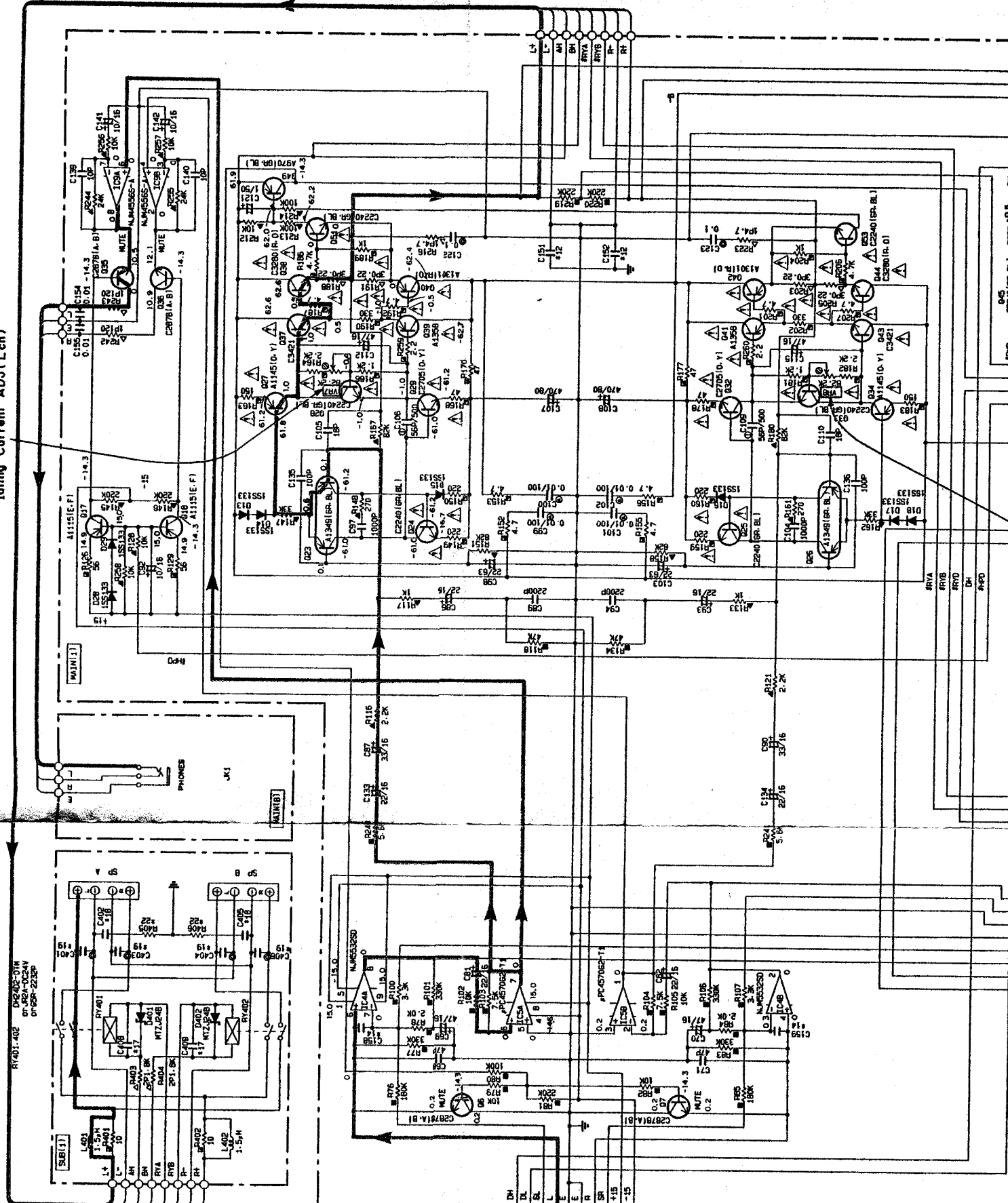


NOTICE
 (A)..... Australian
 (G)..... European
 (B)..... British
 (R)..... General
 (P)..... PP model 1



NOTICE
(A)..... Australian model

Idling Current ADJ(Lch)



Component	Value
11.6M	11.6M
11.4M	11.4M
11M RESISTOR	11M
11M RESISTOR	11M
11M RESISTOR	11M
11M RESISTOR	11M

